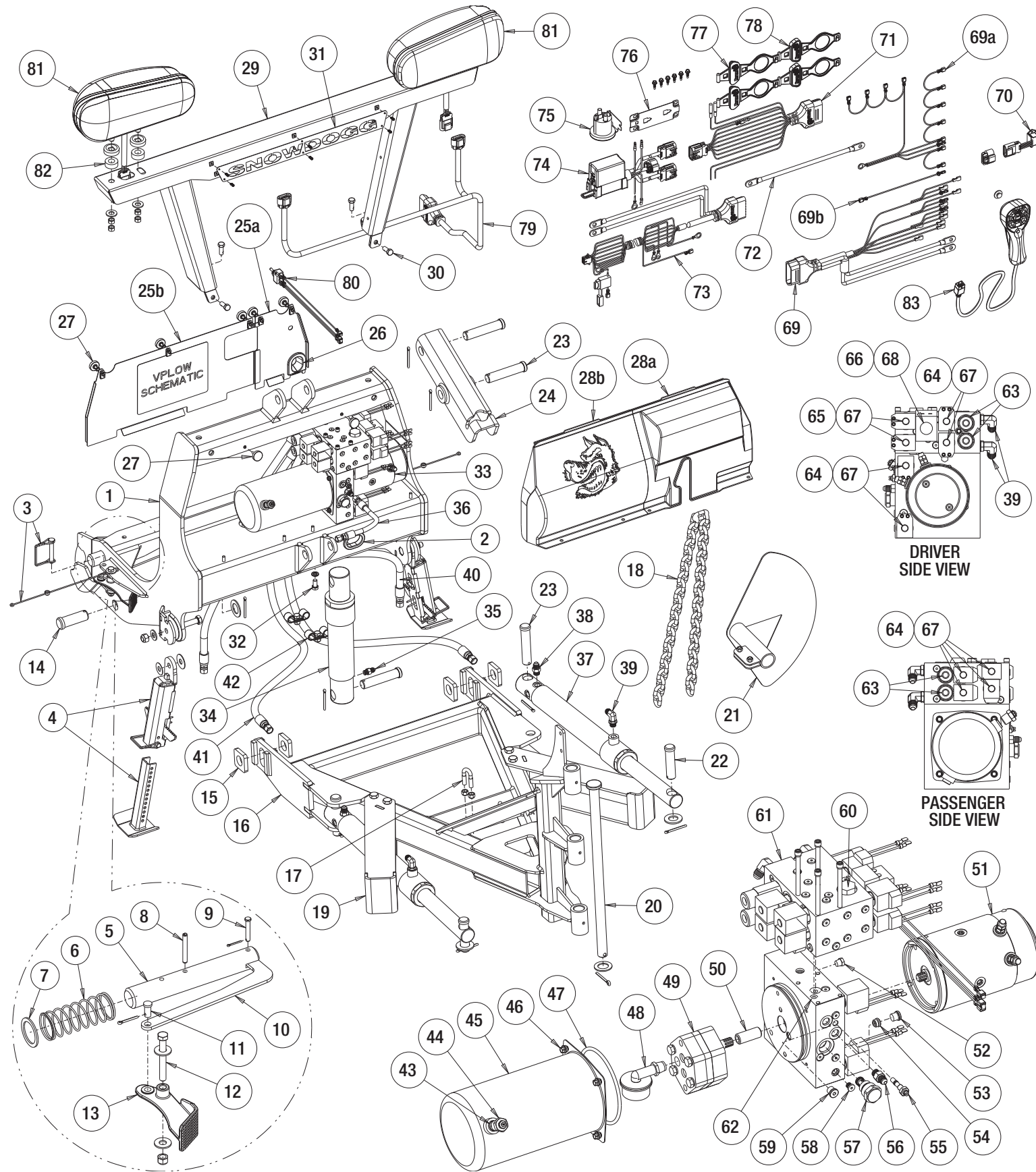


# VXFI SERIES

## REPLACEMENT PARTS

### 2019 MODEL YEAR



## LIFT FRAME

ITEM	QTY.	PART NO.	DESCRIPTION
		16013004	VXF2 Lift Frame
ACC		16150010	Hydraulic Fluid, Low Temp, 1 CASE (12 QTS)
1	1	16110104	Lift Frame, Assembly, G2 2019+
1	1	16111618	Lift Frame, G2 2019+
2	1	16152144	Grommet, 1-3/4in Hole, .188in Thick
3	2	16111124	Snapper Pin, 2-1/2in W/LANYARD
4	2	16111336	Prop Assembly with Foot
4	2	16111338	Prop Foot Only
5	2	16111102	Lock Pin
6	2	16111104	Mount Spring
7	2	16111116	Washer, 1-3/8in
8	2	16111118	Roll Pin, 1/4in x 2in
9	2	16111126	Clevis Pin Kit, 1/4in x 1-1/2in
10	2	16111119	Pedal Linkage, G2
11	2	16111146	Clevis Pin Kit, Pedal Linkage
12	2	16111132	Screw Kit, Pedal Pivot
13	2	16111113	Foot Pedal, Cast
14	2	16111156	Clevis Pin Kit, A-Frame to Lift Frame
15	1	16111162	Float Plate Kit (Set of 4)
16	1	16113202	A-Frame, VXF2
17	2	16103020	U-bolt Kit
18	1	16103010	Chain, 5/16in Grade 43, 48 Links
19	2	16113210	Angle Stop Kit
20	1	16101170	Hinge Pin Kit, VXF/VMD
21	1	16113260	Hinge Cover Kit, VXF
22	2	16102142	Clevis Pin Kit, 7/8in x 3-1/4in
23	5	16102122	Clevis Pin Kit, 7/8in x 4in
24	1	16111408B	Chain Lift, G2
25a	1	16152132A	Rear Panel, HPU DS
25b	1	16152134	Rear Panel, HPU PS Vee
26	1	16160420	Harness Grommet
27	7	16152126	Panel Thumb Screw Kit
28a	1	16152138	Enclosure, HPU DS
28b	1	16152140	Enclosure, HPU PS
29	1	16111640	Light Bar, G2 2019+
30	1	16111520	Light Bar Fastener Kit
31	1	16111636	Logo Plate with Hardware
32	1	16111130	Mount Kit, HPU
33	1	16152000B	HPU, Vee
34	1	16154200	Cylinder, 2in x 6in Polypack
34	1	16154206	Cylinder Gland Nut, 2in Polypack
35	1	16151325	Connector, -4 SAEM/JICM
36	1	16153100	Hose, 1/4in x 18in, -4 JIC
37	2	16154300B	Cylinder, 1-1/2in x 1-3/4in x 12in
37	2	16154302	Seal Kit, 16154300
38	2	16151324	Connector, -6 JICM/SAEM
39	6	16152346	Elbow, -6 JICM/SAEM
40	2	16153110	Hose, 3/8in x 38in, -6 JIC
41	2	16153120	Hose, 3/8in x 40in, -6 JIC
42	2	16111148	Bracket Kit, Hose, VXF2
43	1	16151112	Plug, 3/8in NPT
44	1	16151116	Relief Plug, Reservoir, 12 PSI
45	1	16151110	Reservoir Kit
46	1	16151114	Reservoir Fastener Kit (4 Screws and 8 Washers)
47	1	16159114	Reservoir Seal Kit
48	1	16151102	Inlet Strainer with Elbow
49	1	16151100	Gear Pump
49	1	16159116	Shaft Seal
50	1	16152004	Spline Coupler, Vee
51	1	16151200	Motor, 2HP
52	1	16151326	Vent
53	1	16152332	Plug, 1/4 BSPP

ITEM	QTY.	PART NO.	DESCRIPTION
54	1	16151308	Lift Check Valve
54	1	16900010	Lift Check Valve Removal Tool
55	1	16151310	Lowering Speed Valve
56	1	16151325	Connector, -4 SAEM/JICM
57	1	16151302	Main Relief Valve
58	33	16152016	Plug, -2 SAE
59	1	16152018	Plug, -4 SAE
60	4	16152330	Check Valve
61	1	16152040	Top Block Assembly, VMD/VXF
61	1	16152042	Top Block, No Valves, VMD/VXF
62	1	16152104	Top Block O-Ring/Fastener Kit
63	4	16152334	Angle Relief Valve, 3000 PSI
64	8	16151312	Solenoid Valve, 2-way, Normally Closed
64	8	16159102	Seal Kit, 16151312/16151330
64	8	16159103	Screen, 16151312
65	2	16151330	Solenoid Valve, 2-way, Normally Open
65	2	16159102	Seal Kit, 16151312/16151330
66	1	16152340	Solenoid Valve, 2-way, Normally Closed Bidirectional
66	1	16159109	Seal Kit, 16152340
67	10	16152336	Coil, 8 Size, Flying Leads
68	1	16152342	Coil, 10 Size, Dual Spade
69	1	16161400B	Plow Harness
69	1	16160402	Large Spring Cage Kit (Set of 2)
69	1	16160405	Small Spring Cage Kit (Set of 20)
69a	1	16161420B	Ground Harness, 16161400B
69b	1	16161430	S8 Harness, 16161400B
70	1	16160448	Relay Module
71	1	16160104	Grill to Relay Harness
71	1	16160405	Small Spring Cage (Set of 20)
72	1	16160500	Battery Cable
73	1	16160302	Truckside Control Harness, G2
73	1	16160310	Repair End, 16160300
74	1	16160102	Main Relay Harness
74	6	16160114	Headlight Module Relay
74	1	16160112	Repair End, 8 Pin, 16160100
75	1	16160410	Motor Relay
76	1	16160116	Relay Module Mounting Plate
77	2	16160513	Harness Plug/Retainer
78	2	16160511	Harness Cap/Retainer
79	1	16160250	Plowside Light Harness, G2
80	1	16160450	Jack Switch
81	1	16160800	SnowDogg® Illuminator LED Plow Lights
81	1	16160810	Light, Driver Side, 16160800
81	1	16160820	Light, Passenger Side, 16160800
81	1	16160842	Module, Heater, 16160800
81	1	16160844	Bulb, Heater Module, 16160800
81	1	16160700A	SnowDogg® HX High Intensity Halogen Lights
81	1	16160710A	Light, DS (Part of 16160700A) 19+
81	1	16160712A	Housing, DS Halogen Light
81	1	16160720A	Light, PS (Part of 16160700A) 19+
81	1	16160722A	Housing, PS Halogen Light
81	2	16160732	Halogen Light Housing Gasket
81	2	16160734	Halogen Light Harness, Internal
81	2	16160740	Bulb, H1 High Beam
81	2	16160742A	Bulb, H7 Low Beam, Night Breaker
81	2	16160744	Bulb, Park/Turn, Amber
82	2	16160730B	Halogen Light Mounting Hardware Kit (1 Light)
83	1	16161601B	Controller, Vee Blade G2
83	1	16160622	Mount Kit, 1616*601
83	1	16161632	Keypad, 16161601
83	1	16161642B	Circuit Board, 16161601
83	1	16160652	Harness, 1616*601

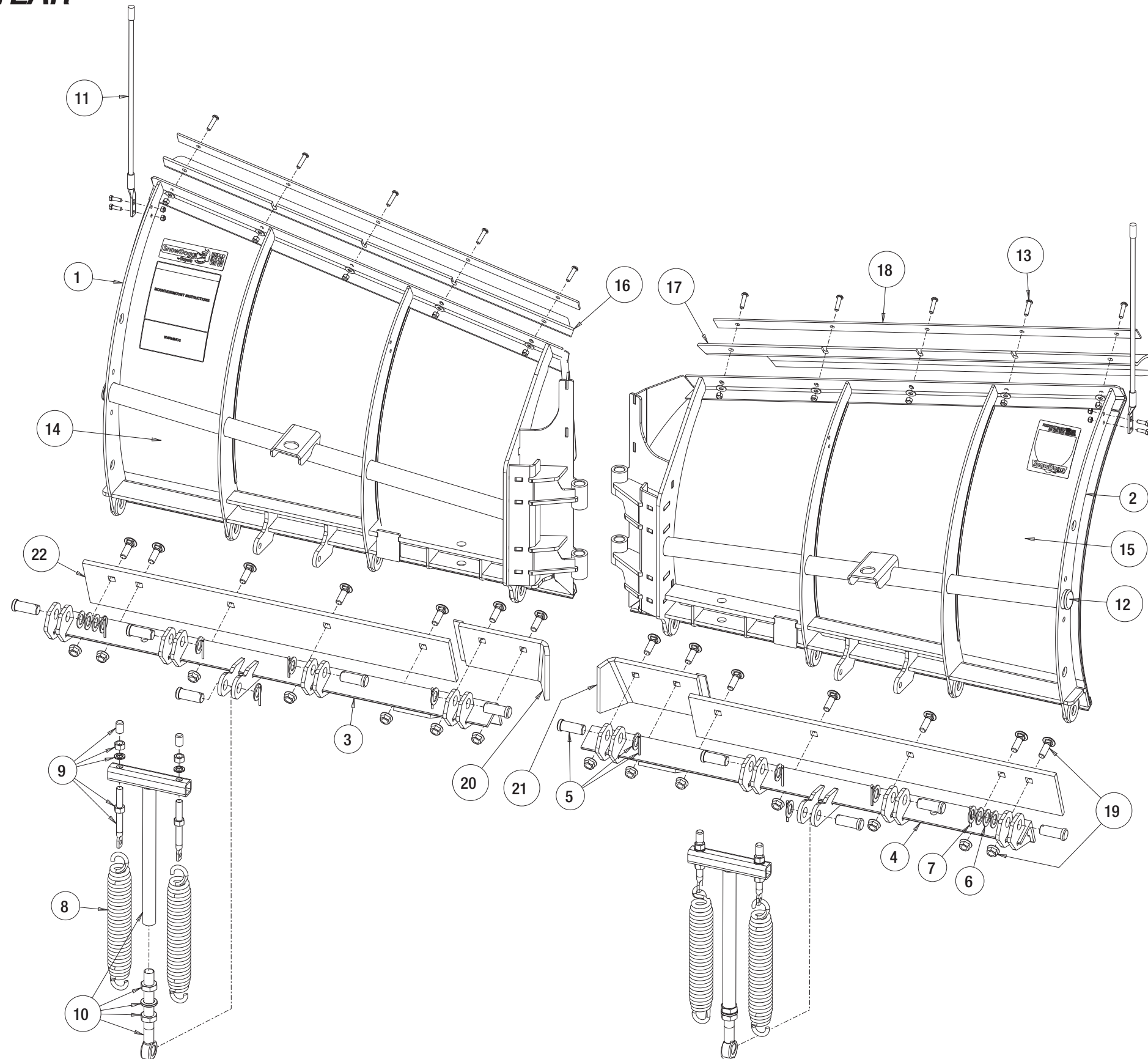
# VXFI SERIES

## REPLACEMENT PARTS

### 2019 MODEL YEAR



## MOLDBOARD



ITEM	QTY.	PART NO.	DESCRIPTION
		16020724	VXF85-2 Moldboard
		16020734	VXF95-2 Moldboard
ACC	1	16021712	Wing Kit, VXF
ACC	1	16120180	Deflector Kit, VXF, Rubber with Center Cover
ACC	2	16120171	Deflector, VXF85, Rubber
ACC	2	16120173	Deflector, VXF95, Rubber
ACC	1	16021750	Shoe Kit, VXF/VMD
ACC	2	16121700	Shoe Assy Only
ACC	2	16121704	Shoe Bracket
	1	16122201	Moldboard Frame, DS, VXF85
	1	16122203	Moldboard Frame, DS, VXF95
	2	16122211	Moldboard Frame, PS, VXF85
	2	16122213	Moldboard Frame, PS, VXF95
	3	16122230	Trip Angle, DS, VXF85
	3	16122240	Trip Angle, DS, VXF95
	4	16122232	Trip Angle, PS, VXF85
	4	16122242	Trip Angle, PS, VXF95
	5	16102144	Clevis Pin Kit, 1in x 2-3/8in
	6	16102104	Washer, 1in
	7	16102102	Cotter Pin, 3/16in x 2x
	8	16101200	Trip Spring
	9	16101210	Spring Mount Eye Bolt Kit (Set of 4)
	10	16120190	Trip Spring T-Bar Kit
	11	16122100	Blade Guide Kit
	12	16120120	Crosstube Cap
	13	16120110	Moldboard Skin Hardware Kit
	14	16121721	Skin, DS, VXF85, SST
	14	16121731	Skin, DS, VXF95, SST
	15	16121723	Skin, PS, VXF85, SST
	15	16121733	Skin, PS, VXF95, SST
	16	16120170	Deflector, DS, VXF85, Poly
	16	16120176	Deflector, DS, VXF95, Poly
	17	16120172	Deflector, PS, VXF85, Poly
	17	16120178	Deflector, PS, VXF95, Poly
	18	16120270	Clamp Strip, VXF85
	18	16120272	Clamp Strip, VXF95
	19	16120114	Cutting Edge Hdw Kit, 5/8in-11 (Set of 14)
	20	16120840	Center Cutting Edge, DS
	21	16120850	Center Cutting Edge, PS
	22	16120820	Cutting Edge, 40in x 1/2in, VXF85
	22	16120830	Cutting Edge, 46in x 1/2in, VXF95